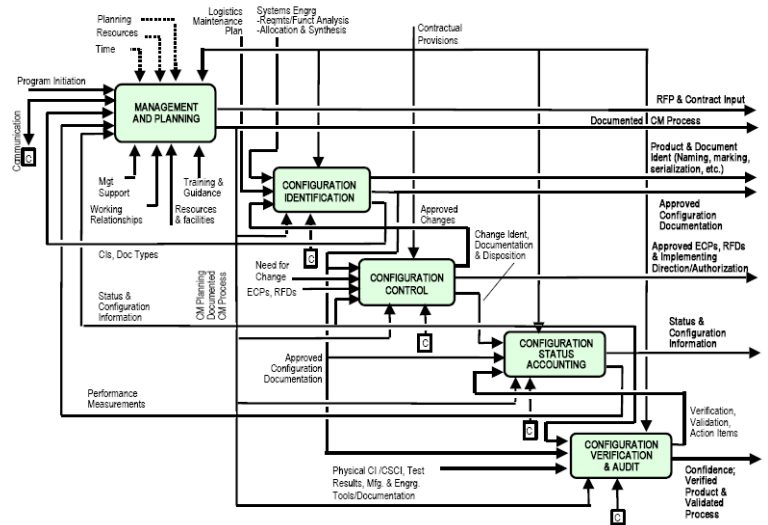




# CONFIGURATION MANAGEMENT

Ingenicomm provides dedicated configuration management services for aerospace and enterprise programs. Ingenicomm's configuration management expertise enables customers to systematically handle changes so that a system maintains its integrity over time. Ingenicomm analysts can leverage policies, procedures, techniques, and tools to evaluate proposed changes, track the status of changes, and maintain an inventory of system and support documents as the system changes. Ingenicomm-developed configuration management programs and plans can provide the technical and administrative direction necessary to successfully develop and support a complex system, track mission requirements throughout the system lifecycle through acceptance and operations and maintenance, and create an accurate record of the system's configuration and status.



## Management and Planning

Ingenicomm can support the management and planning of a mission-specific or enterprise-wide configuration management system, developing and documenting a formal plan to guide the CM program. Ingenicomm's analysts have expertise in evaluating a broad range of factors that can affect the success of configuration management efforts, including personnel responsibilities and resources, training requirements, administrative meeting guidelines, procedures and tools, baselining processes, configuration control and status accounting, naming conventions, audit and review procedures, and subcontractor/vendor CM requirements.

## Identification and Control

Ingenicomm's configuration management analysts can provide a range of support for the configuration identification and control processes, including setting and maintaining baselines to define system or subsystem architecture, components, and developments and identifying, documenting, and tracking changes to any part of a system through design, development, testing, and final delivery. Ingenicomm's configuration management services incrementally establish and maintain a definitive current basis for configuration status accounting of a system and its configuration items throughout their lifecycle until disposal. Ingenicomm provides full support for formal configuration control processes, including the evaluation of all change requests and change proposals, and their subsequent approval or disapproval. Ingenicomm can support controlling modifications to the system's design, hardware, firmware, software, and documentation with specific domain expertise as required.

## Accounting and Audit

Ingenicomm provides a full range of configuration status accounting and audit capabilities, encompassing processes for recording and reporting configuration item descriptions and departures from the baseline during design and production, conducting independent reviews of hardware and software for the purpose of assessing compliance with established performance requirements, standards, and functional, allocated, and product baselines, and verifying the system and subsystem configuration documentation complies with their functional and physical performance characteristics before acceptance into an architectural baseline.

Ingenicomm, Inc. is a leading provider of ground and range equipment and enterprise engineering services for civil and commercial aerospace programs, as well as the defense and intelligence communities. To learn more about Ingenicomm's service and product offerings, visit <http://www.ingenicomm.net> or contact Ingenicomm at [info@ingenicomm.net](mailto:info@ingenicomm.net) or +1-703-943-7236.