



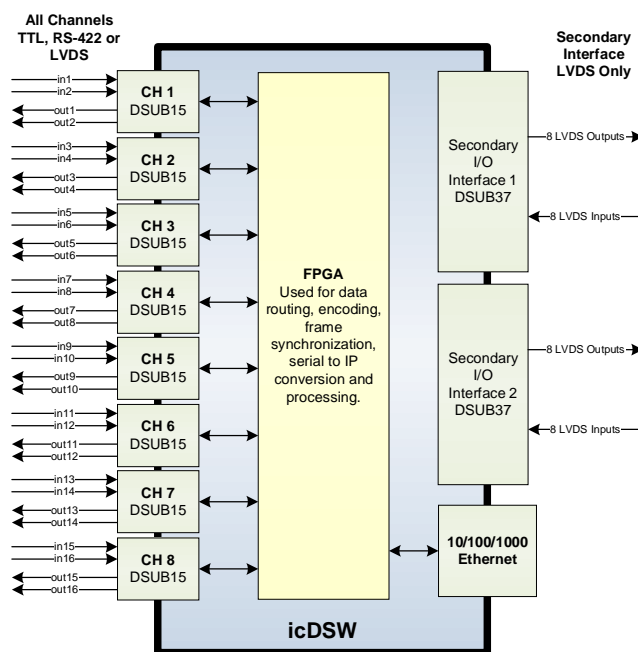
Ingenicomm's icDSW is a highly configurable multi-channel input/output device engineered for a variety of applications including signal conversion, multi-channel frame synchronization, data source selection, channel and system failover, and data distribution and replication.

The icDSW is equipped with 8 bi-directional signal channels that can be configured as RS-422, TTL or LVDS. Each channel can accommodate multiple input termination schemes, including single-ended, differential and common mode terminations.

The signal channels are connected to an FPGA, which is also linked to a 10/100/1000 Ethernet port for direct-to-network signal conversion applications.

The icDSW also includes a secondary LVDS interface for applications that require extra signal fanouts or special signal distribution.

The combination of the highly adaptable I/O interfaces, the flexible FPGA architecture, and the fully integrated network connectivity allows the icDSW to support a wide range of specialized applications and mission requirements. Contact Ingenicomm to find out more information about how the icDSW can be customized for your specific application.



Signal and Serial-to-IP Conversion

Data Switching and Distribution

Multi-Channel Frame Synchronization

Best Source Selection

Channel and System Failover

SPECIFICATIONS

Power	AC, 85-264 VAC, 47-63 Hz
I/O Channels	8 bi-directional channels; each channel is composed of 2 input and 2 output signals
I/O Signal Type	Each channel can be configured as RS-422, LVDS, or TTL
Secondary Interfaces	10/100/1000 Ethernet (used for control and data flow) LVDS (signal use is configurable per customer requirements)

Ingenicomm specializes in the standardization of ground network elements, enabling interoperability while providing customized solutions to meet the unique requirements of individual missions. For more information, or to request a price quote, please contact us at info@ingenicomm.net or at +1-703-943-7236.